

## EAF-900

▶ **Description**

Line Powered, Sensor Activated, Electronic Hand Washing Faucet for hot and cold water operation.

- ▶  **EAF-900** With Integral Temperature Mixing (For Hot and Cold water supply connection)

▶ **Flow Rate**

- 0.5 gpm/1.9 Lpm Multi-Lam Spray  
 1.0 gpm/3.8 Lpm Multi-Lam Spray

▶ **Specifications**

Sensor Activated, Electronic, Chrome Plated Die-Cast Metal, Hand Washing Faucet with the following features:

- Modular One-piece Construction
- Double Infrared Sensors with Automatic Setting Feature and Microprocessor
- Magnetic Mono-stable Solenoid Valve
- Water Supply Connection with Flexible High-pressure Hoses and Strainers
- Ceramic Disc Mixing Valve
- Diagnostics On-board
- Programmable Time-Outs
- Welcome Light Function
- Lighted Rainfall Water Stream
- Lighted Temperature Adjustment Buttons
- Appropriate Mounting Hardware included
- 120 VAC/12 VDC Plug-in Voltage Adapter

▶ **Warranty**

3 year (limited)

▶ **Compliant to:**

ASME A112.18.1-2005/CSA B125.1-05, ISO/IEC 17025  
 ANSI A117.1



**Senso™**

Experience Senso. Engaging features, intuitive controls and a unique rainfall pattern of water offer a highly visual and tactile experience. A refined balance of elegance and efficiency make Senso perfectly suited for the most discriminating environments.

**Experimental**

The supple streams of Senso's distinctive rainfall pattern are artfully illuminated for a highly visual experience.

**Intuitive**

Feather-light touch sensors provide refined control of water temperature. Accurate and immediate visual feedback is intuitively communicated via red and blue LED lighting.

**Conservation**

RoHS compliant electronics drive a precise ceramic mixer to deliver an exacting supply of water. Low-voltage line power eliminates batteries.

Senso faucets include a low-voltage 12 VDC plug-in voltage adapter.



This product may contribute to LEED credits. See details on LEED calculation worksheet.

This space for Architect/Engineer approval

Job Name \_\_\_\_\_ Date \_\_\_\_\_

Model Specified \_\_\_\_\_ Quantity \_\_\_\_\_

Variations Specified \_\_\_\_\_

Customer/Wholesaler \_\_\_\_\_

Contractor \_\_\_\_\_

Architect \_\_\_\_\_

# EAF-900

## ► Description

Line Powered, Sensor Activated, Electronic Hand Washing Faucet for hot and cold water operation.  
(For Hot and Cold water supply connection)

## ► Flow Rate

- 0.5 gpm/1.9 Lpm Multi-Lam Spray
- 1.0 gpm/3.8 Lpm Multi-Lam Spray

## ELECTRICAL SPECIFICATIONS

### ► Control Circuit

12 VDC — Includes Auto Set Range Adjustment

### ► Sensor Range

Nominal:  
4"-5" (102 mm - 127 mm)

Faucet Adaptive Self-adjustment Range:  
2"-14" (51 mm - 356 mm) nominal

### ► Power Supply

120 VAC/12 VDC Plug-In Transformer  
One Transformer per Faucet

### ► Time Out Setting

2 minutes — Maximum time faucet will run upon continuous detection

### ► Clean Mode

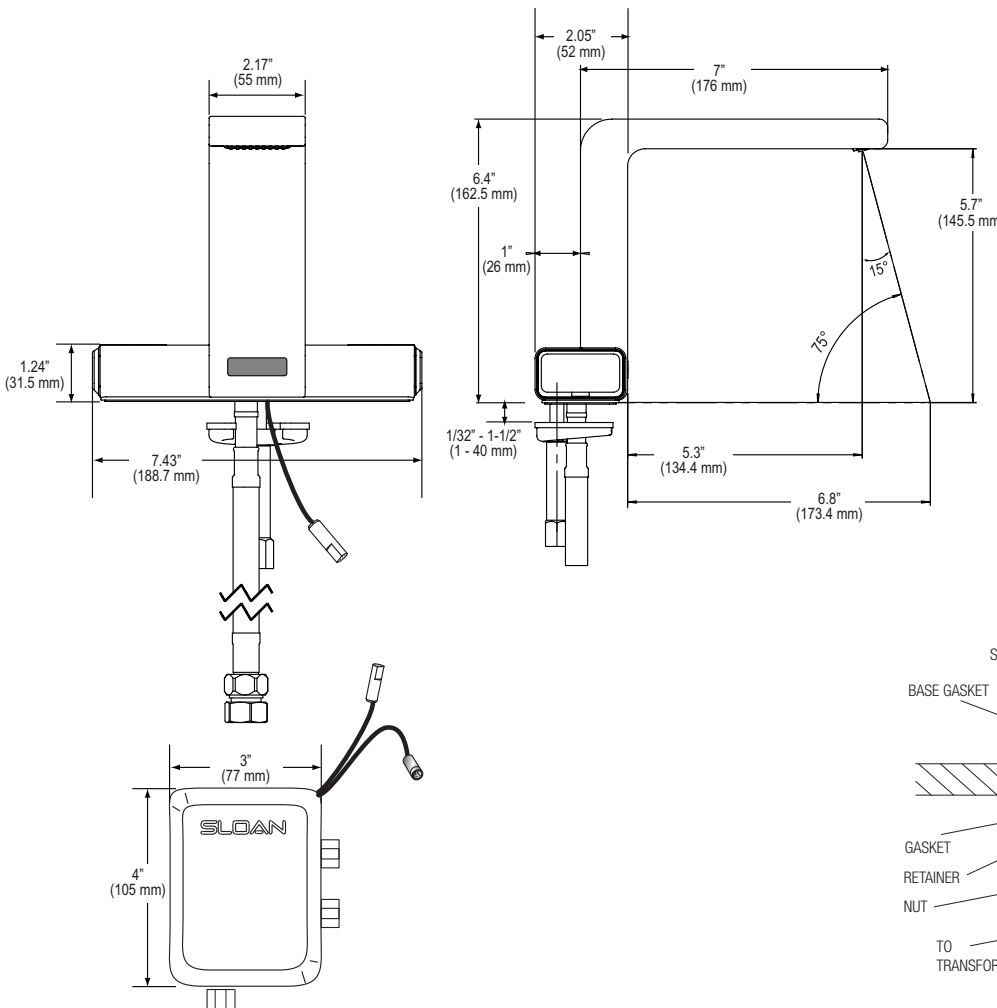
2 minutes — Lock out faucet for cleaning  
"Wakes Up" automatically after 2 minutes

## OPERATION

As the user's hands enter the beam's effective range, the beam is reflected back into the sensor receiver and activates the solenoid valve allowing water to flow from the faucet. Water will flow until the hands are removed or until the faucet reaches its automatic time out limit setting.

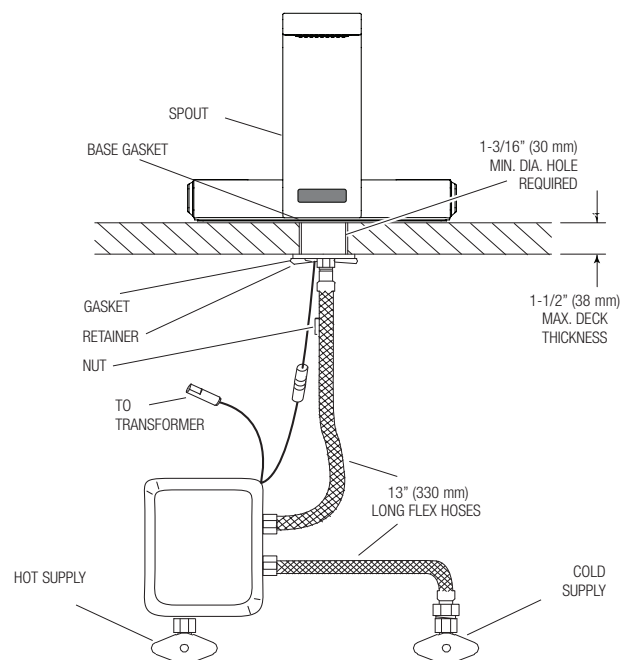
## AVAILABLE SETTINGS (Refer to Installation Instructions for Full Details)

Function
OFF DELAY
DURATION – CONTINUOUS WATER FLOW
PAUSE MODE DURATION
SENSOR RANGE
WELCOME FEATURE SENSOR RANGE
AUTOMATIC SENSOR ADJUSTMENT



## ROUGH-IN

### EAF-900 with Hot and Cold Water Supply



**SLOAN VALVE COMPANY • 10500 SEYMOUR AVENUE • FRANKLIN PARK, IL 60131**

Phone: 1-800-982-5839 or 1-847-671-4300 • Fax: 1-800-447-8329 or 1-847-671-4380 • [www.sloanvalve.com](http://www.sloanvalve.com)